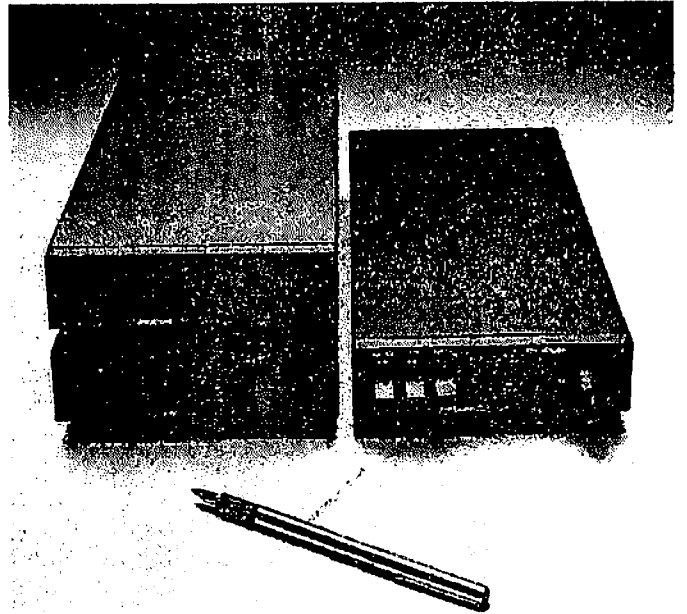


BOOTHROYD STUART/MERIDIAN



STOP

24-7-84 CONVERTED TO 101B. (ASAK.) 27a

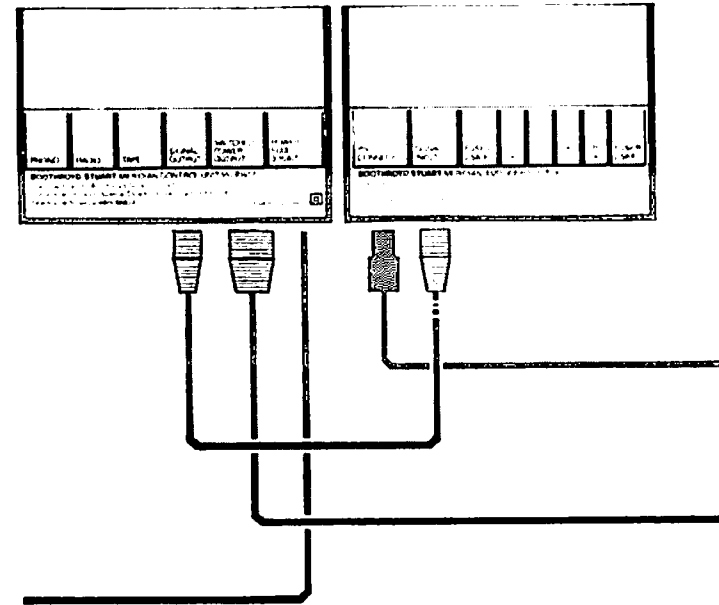
PRODUCT REAR VIEW Labels exposed

PLUG POSITIONS aligned for insertion

DC CONNECTIONS Power supply to Amplifier

SIGNAL CONNECTIONS Control Unit to Amplifier

MAINS POWER CONNECTIONS

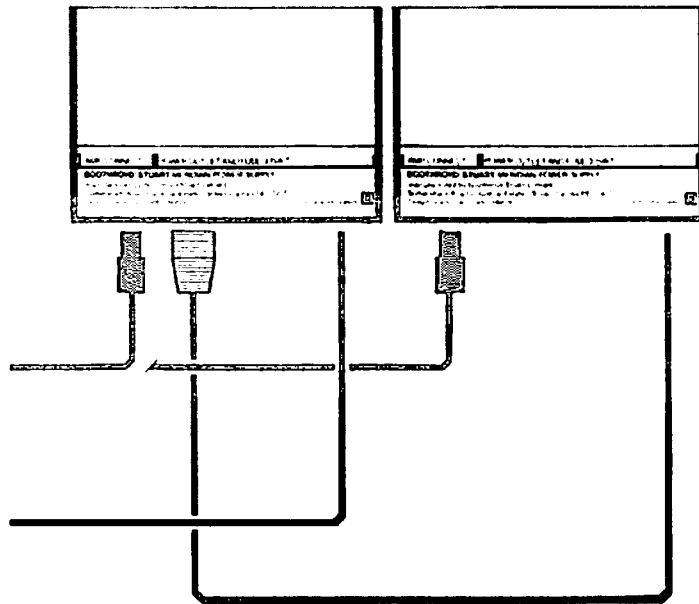


The Boothroyd Stuart Meridian range of high fidelity units have been designed for the most discerning listener who requires discrete equipment of top performance. Whilst the units are very simple to instal we recommend that you read these instructions to obtain the best results – we draw particular attention to the note on maintenance.

**Positioning** The units can be operated in any position without a change in performance, but for example, if the three units – power supply, power amplifier and control unit are stacked or laid side by side we suggest that the power amplifier is placed between the control unit and the power supply and that in the vertical format the power supply is at the base. It is not essential that this plan is used. It is possible to instal the power amplifier and power supply some distance from the control unit. Please take your dealer's advice on this. The lead between power amplifier and power supply must not be extended. Avoid standing the power amplifier on delicate surfaces. Don't constrict airflow around it since it is designed to lose heat through its outer case. Under heavy duty the case can rise to higher temperature than normal but the unit will automatically cut out should the temperature rise beyond a safe level and reconnect upon cooling. No damage will be sustained should this happen.

**Connection IMPORTANT – THIS EQUIPMENT MUST BE GROUNDED (EARTHED)** except in the case of some export versions. All Boothroyd Stuart Meridian products are manufactured to the highest safety standards, the amplifiers are double insulated under Class 2 specification. It is important that the control unit be connected to mains earth and for the power supply, if used separately from the BS Meridian control unit also to be connected to mains earth. To connect a 101/103 combination proceed as follows.

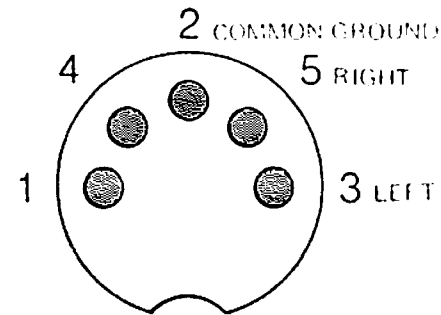
Connect the control unit mains cord to a three pin plug. Brown – Live, Blue – Neutral, Green/Yellow – Earth (Ground) Plug the 103 power supply into the shuttered switched power outlet at the back of the control unit. A shuttered outlet on the back of the power supply is available for ancillaries, for example a second power supply or record turntable. Plug the six pin DC lead into the AMP CONNECT socket of the power supply and the other end into the PSU CONNECT socket of the power amplifier. A five pin DIN to five pin DIN reversing lead is supplied to connect the SIGNAL OUTPUT socket on the control unit to the SIGNAL INPUT on the power amplifier. Note that this lead may have a coded end (black sleeve) and this should be plugged into the power amplifier, no damage will



result if this lead is reversed but there will be no sound. Some versions of the 101/101MC have a seven pin DIN output socket in which case a five pin DIN to five pin DIN normal lead may be used as an alternative to the reversing lead. Connect the inputs to the control unit with standard DIN plugs, the pickup cartridge should be connected in accordance with the diagram above. Connect loudspeakers to the power amplifier using heavy gauge cable. Performance will be improved if heavy cable of the shortest possible length is used here. Litz wire and other such proprietary low loss cables are suitable for use with the 103. If conventional cable is used we suggest 80/0.2 sq. mm for runs up to 5 m. The tape output is available on a DIN plug at -20dBm reference level (77.5 mV) on pins 1 and 4 of the tape socket. This is higher than DIN standard level and is better connected to many tape machines using a DIN - RCA (phono) lead rather than DIN - DIN; please consult your dealer. Route the cables so that the leads from the turntable in particular are kept as far as possible from the power leads or interconnection cables.

To connect a power amplifier 103 to another make of pre-amplifier connect the DC 6 pin lead between power supply(s) and power amplifier as above, also the loudspeaker connections to the power amplifier. The mains supply to

INTERNAL VIEW OF DIN PLUG Cover Removed  
Connections for Pickup input



the power supply should be connected to a suitable outlet on the preamplifier if available and should be earthed. The input signal to the power amplifier is via the five pin DIN socket pins 3 and 5 left and right live respectively pin 2 ground.

**Maintenance** Normally the Boothroyd Stuart Meridian units need only periodic dusting to keep them clean however, if they are greasy through handling, methylated spirit may be sparingly used on the outside of the case. Use no other solvent or proprietary cleaner.

No regular maintenance of the circuits is required. It is good practice to clean up the connections in the system every 12 months ensuring that loudspeaker terminals have not become oxidised. Pull out all DIN plugs and re-insert them to clear any contact resistance. This applies especially to moving coil inputs unless the 101 has a gold plated socket and a gold plated DIN plug is employed.

Boothroyd Stuart reserve the right to improve and amend their products at any time. Aspects of the Meridian products are covered by British and Foreign patents registered designs and copyright.

This instruction card will fit conveniently between a Power Supply and Amplifier or Control Unit. Please retain packing materials for future safe transit of the products.

Operating instructions for Boothroyd Stuart Meridian Control Unit 101/101MC Power Amplifier 103 and Power Supply 103.

**Extending the System** It is possible to change 101 to conventional phono from moving coil and vice versa by exchanging a plug-in module internally. Follow the instructions supplied with the module. It is also possible to operate a power amplifier 103 with two power supplies to give improved performance. In this case the second power supply takes its mains from the first and a special Y lead connects the power amplifier DC input to the two supplies. In this three ended lead the plug with two wires is inserted into the power amplifier.

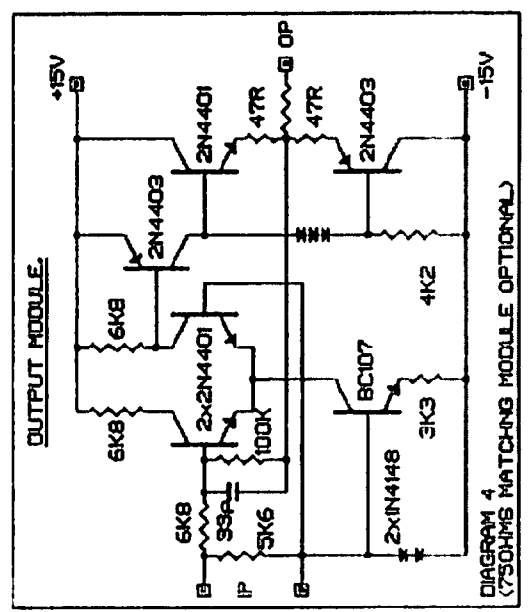
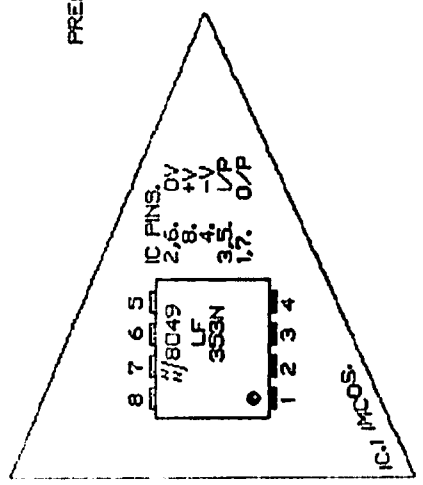
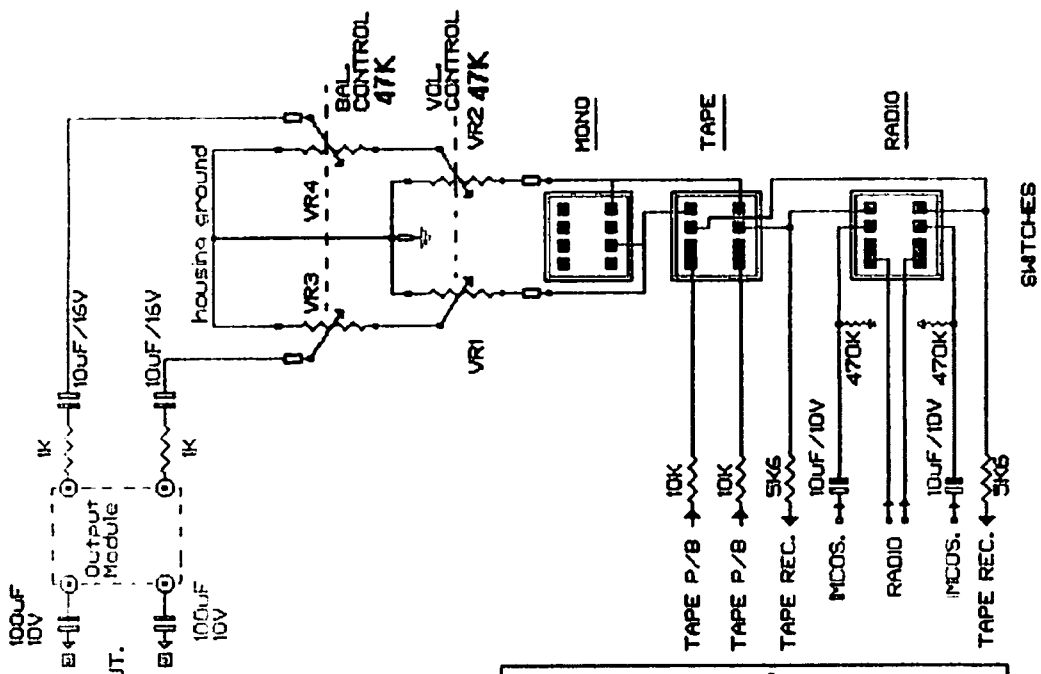
To connect the 101 to a pair of Boothroyd Stuart Meridian Active loudspeakers follow the instructions with the loudspeaker.

To connect the 101 to another power amplifier a lead which connects pins 1 and 4 (common ground pin 2) of the output socket, to the left and right inputs respectively of the power amplifier should be used.

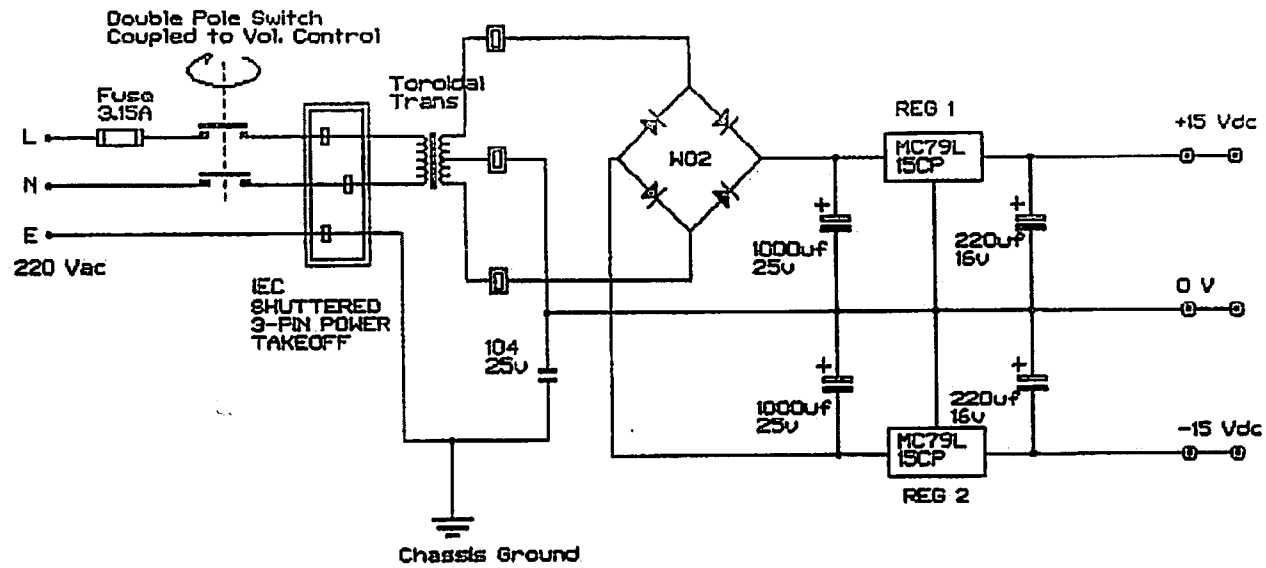
If the 101 has a five pin DIN output socket **UNDER NO CIRCUMSTANCES** connect pins 3 and 5 to the power amplifier as these carry  $\pm 15V$  DC and may cause damage to some power amplifiers and loudspeakers.

The 101 can drive any power amplifier which accepts a signal input between 100mV and 5V rms.

MERIDIAN 101 MC IMCOS PREAMPLIFIER.  
 Copyright BOOTHROYD STUART.  
 HUNTINGDON, ENGLAND.

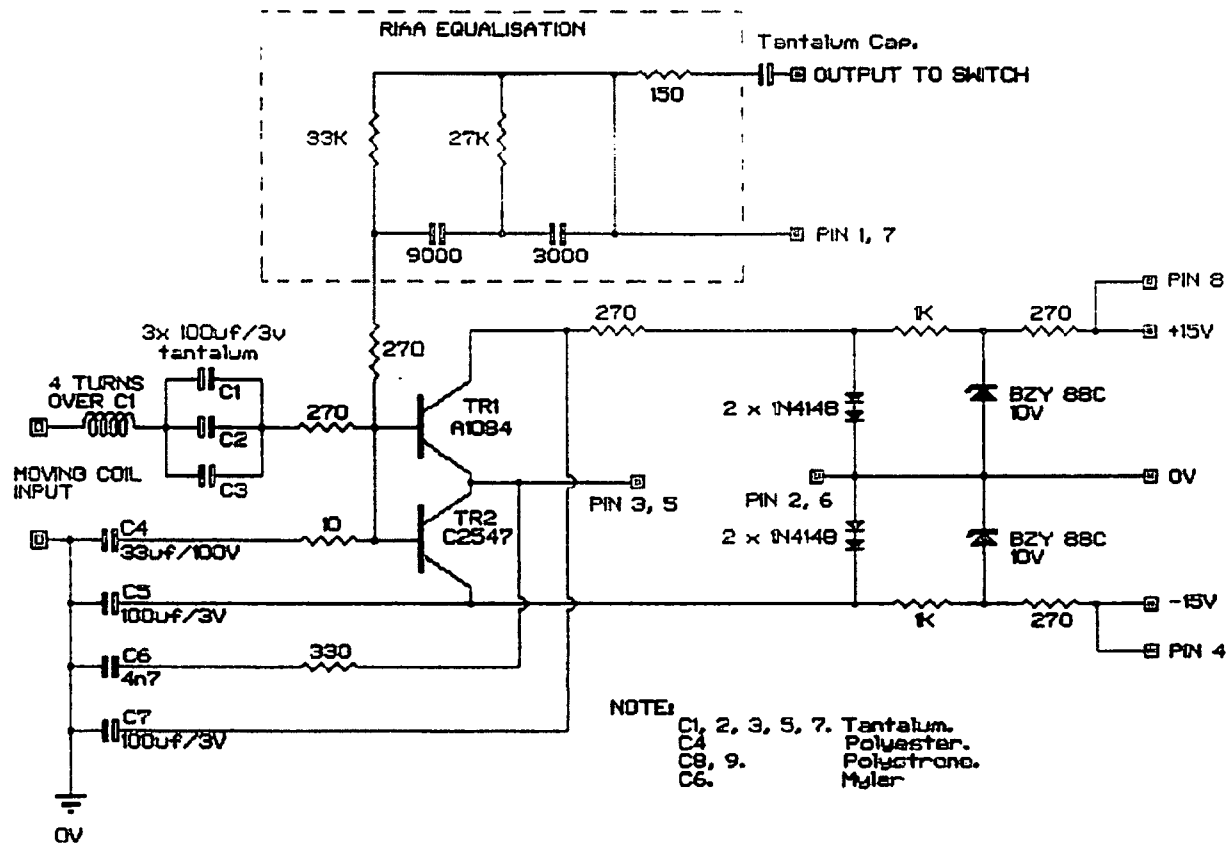


DRAWN BY LOOI CHENG HOCK



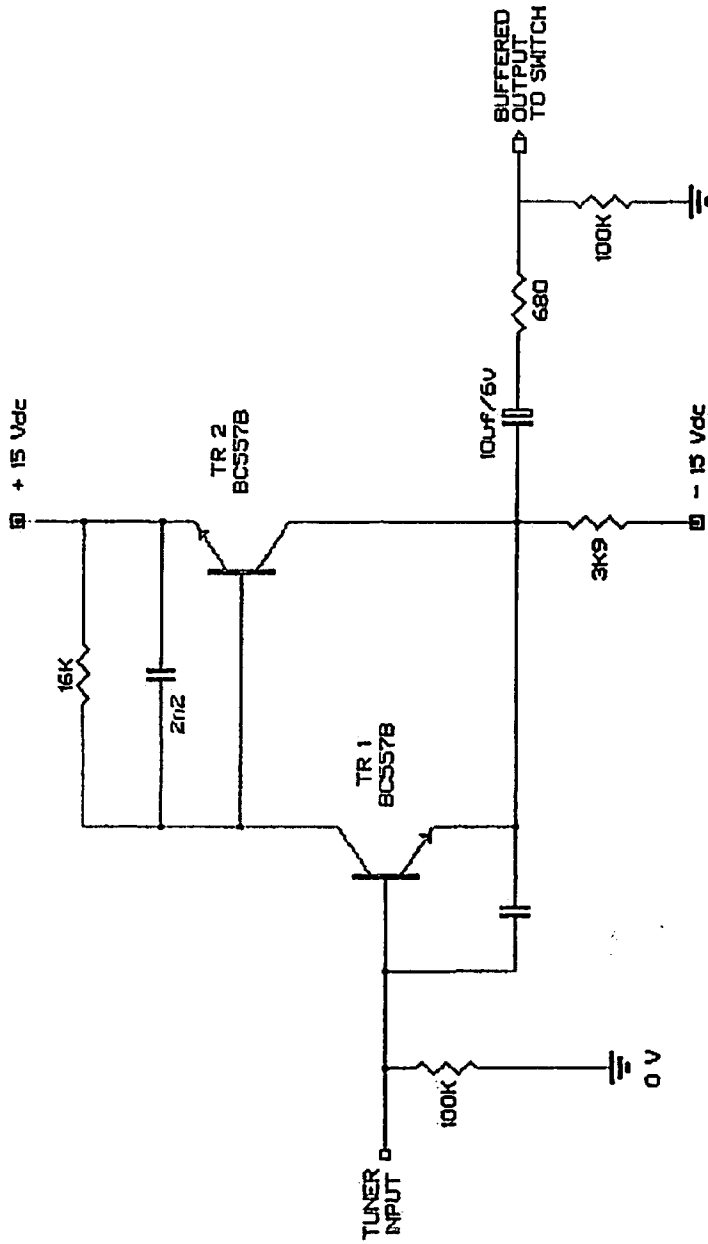
Meridian 101 MC IMCOS PreAmplifier - Power Supply.  
DIAGRAM 1

DRAWN BY LOOI CHENG HOCK



**MERIDIAN 101MC IMCOS - MOVING COIL MODULE FOR ASAK**  
**(PCB 12018.2 Serial No.1142) Diagram 3. (Single channel shown)**

DRAWN BY LOOI CHENG HOCK



MERIDIAN 101MC IMCOS - RADIO BUFFER STAGE ( single channel shown )  
 Diagram 2

DRAWN BY LOO CHENG HOCK